



OVERVIEW

Primary Specification		Machinery	
Registry:	AMSA	Propulsion:	2 x Fixed Pitch Propellers
Class:	USL 2B & 2C	Kort Nozzle:	No
Official Number/Unique Identifier:	4087	Main Engines:	2 x NTA-855 Cummins 299kW each @ 2100rpm
Length (Overall):	19.80m	Total Propulsion Power:	598kW
Breadth (Moulded):	9.0m	Gear Box:	Twindisc MG 511 2.54:1
Depth (Moulded):	2.32m	Generator:	1 x Cummins 6BT5.9-D 114KVA
Design Draft (lightship):	1.7m	Operational Performance	
Gross Registered Tonnage:	93T	Bollard Pull:	8T
Vessel Weight (lightship):	107.6T	Full Operating Speed:	8 Knots
Clear Deck Space:	95m ²	Economic Operating Speed/consumption:	7 Knots / 86L / Hr
Cargo Deadweight:	67T	Consumption at Idle:	16.8L / Hr
Deck Loading	2.6T - 4.5T/m ²		
Accommodation:	4		

The data on this specification is published in good faith and for general information purpose only. It does not warrant its accuracy or completeness and to the full extent allowed by law excludes liability.



OVERVIEW

Tank Capacities	
Fuel:	125m ³
Fresh Water:	7.3m ³
Water Ballast:	88.7m ³
Lube Oil:	1.02m ³
Waste Oil:	N/A
Sullage:	0.56m ³
Grey Water:	N/A
Fuel Transfer Pump:	1 electric pump fitted
Bilge & Ballast Pump:	2 x John Shenton Electric Drive
Fire Pump:	2 x John Shenton Electric Drive
Deck Machinery	
Anchor Handling Winch:	25T
Anchor Windlass:	Single Hydraulic Gypsy
Shark Jaws:	100T Sharkjaw
Stern Roller:	Bow Roller
Deck Crane:	Effer 80N 5S 25.5T@2.54m 1.32T@19.9m

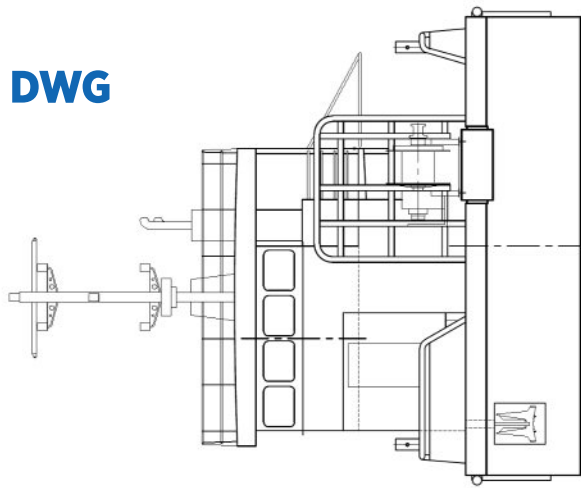
Navigational/Communications	
Radar System:	JRC JMA-2300
Depth Sounder:	JRC-FF60
HF Radio:	Barrett SB250
VHF Radio:	1 X ICOM M304
Call Sign:	VNW6270
Compass:	Plastimo
GPS:	2 x Furno GP32
Chart Plotter:	Raymarine E70013
Auto Pilot:	TMQ AP9
AIS:	Sanav AIS-700
MMSI:	503481800



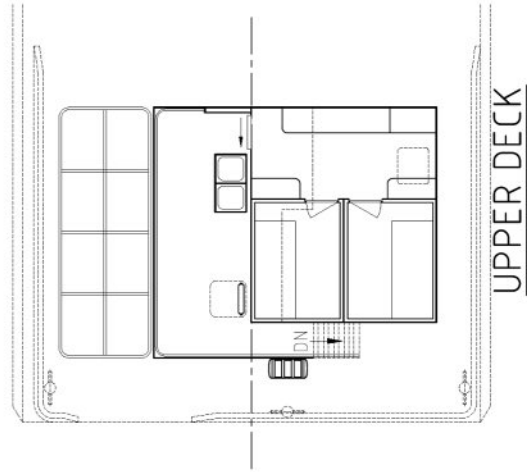
The data on this specification is published in good faith and for general information purpose only. It does not warrant its accuracy or completeness and to the full extent allowed by law excludes liability.



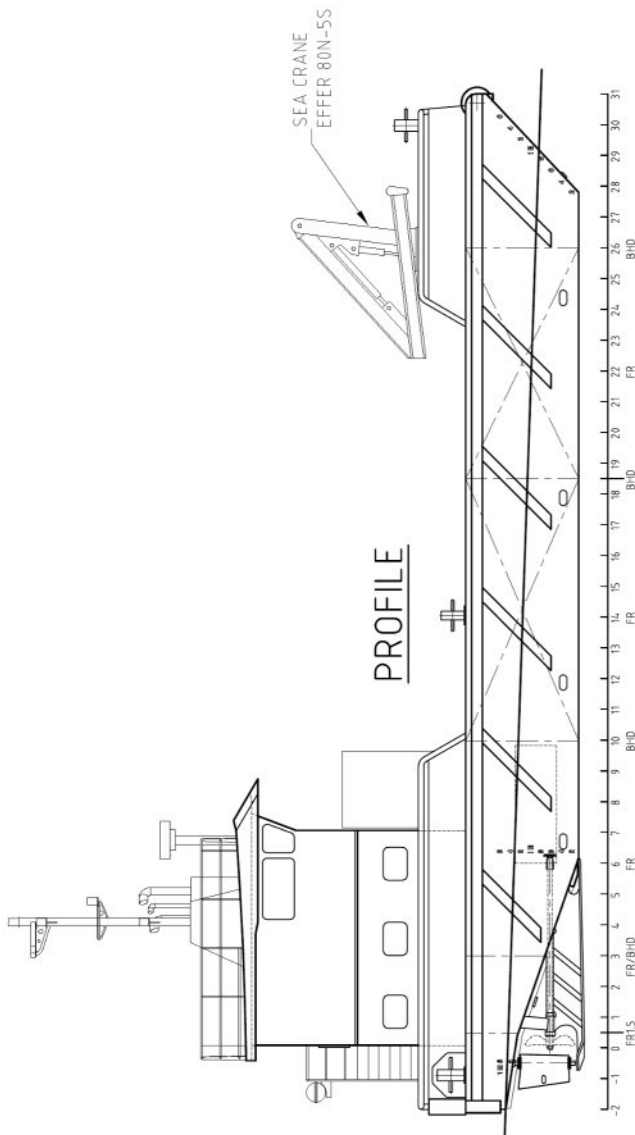
GA DWG



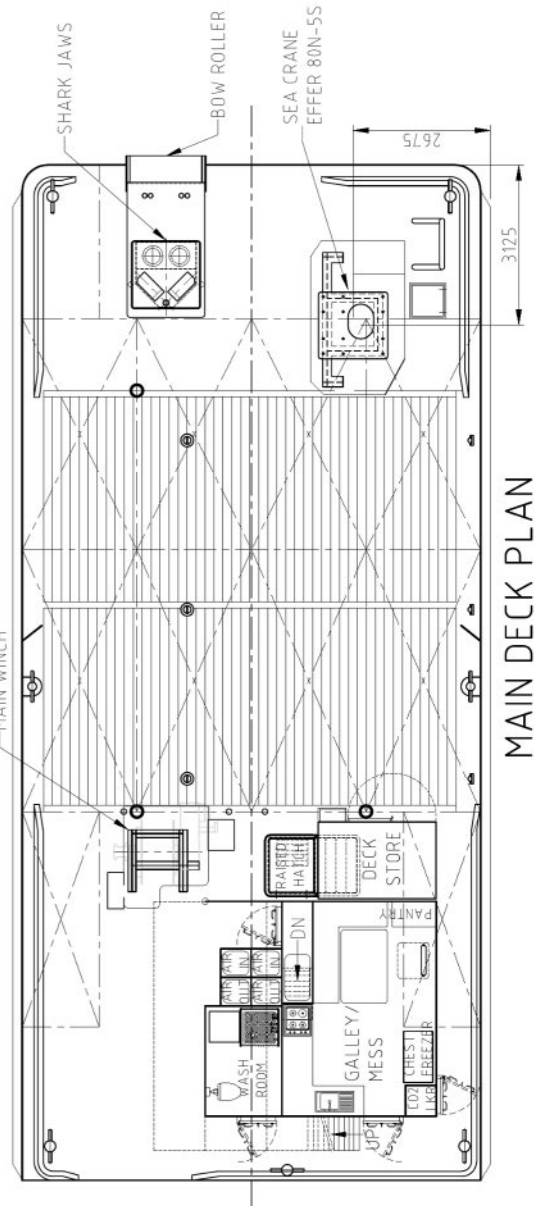
BOW VIEW



UPPER DECK



PROFILE



MAIN DECK PLAN



The data on this specification is published in good faith and for general information purpose only. It does not warrant its accuracy or completeness and to the full extent allowed by law excludes liability.